

**PLEASE CHECK WWW.MOLEX.COM FOR LATEST PART INFORMATION**

**Part Number:** [0194180030](#)  
**Status:** **Active**  
**Overview:** [mx150l sealed connector system](#)  
**Description:** MX150L™ 16 Circuit Receptacle for 14-16 AWG Wire, with CPA

**Documents:**

[3D Model](#) [Product Specification PS-19417-001 \(PDF\)](#)  
[Drawing \(PDF\)](#) [RoHS Certificate of Compliance \(PDF\)](#)  
[Packaging Specification \(PDF\)](#)

**Agency Certification**

UL E152602

**General**

Product Family Crimp Housings  
 Series [19418](#)  
 Overview [mx150l sealed connector system](#)  
 Product Literature Order No 987650-2181  
 Product Name MX150L™

**Physical**

Circuits (maximum) 16  
 Flammability 94V-0  
 Gender Female  
 Glow-Wire Compliant No  
 Lock to Mating Part Yes  
 Number of Rows 2  
 Packaging Type Bag  
 Panel Mount No  
 Pitch - Mating Interface (in) 0.230 In  
 Pitch - Mating Interface (mm) 5.84 mm  
 Polarized to Mating Part Yes  
 Stackable No  
 Temperature Range - Operating -40°C to +125°C

**Electrical**

Current - Maximum per Contact 18A

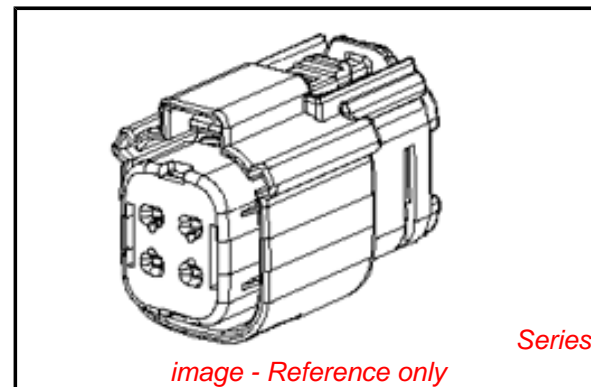
**Solder Process Data**

Max. Cycles at Max. Process Temperature 0

**Material Info**

**Reference - Drawing Numbers**

Application Specification AS-19417-001  
 Packaging Specification PK-19418-001  
 Product Specification PS-19417-001  
 Sales Drawing SD-19418-007



**EU RoHS**

**ELV and RoHS  
Compliant**  
**REACH SVHC**  
 Not Reviewed  
**Halogen-Free  
Status**  
**Not Reviewed**

**China RoHS**



**Need more information on product  
environmental compliance?**

Email [productcompliance@molex.com](mailto:productcompliance@molex.com)  
 For a multiple part number RoHS Certificate of  
 Compliance, [click here](#)

Please visit the [Contact Us](#) section for any  
 non-product compliance questions.

**Search Parts in this Series**

[19418Series](#)

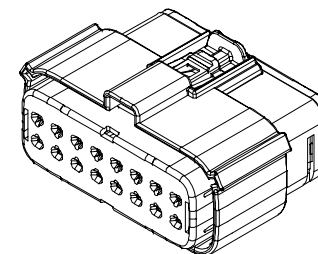
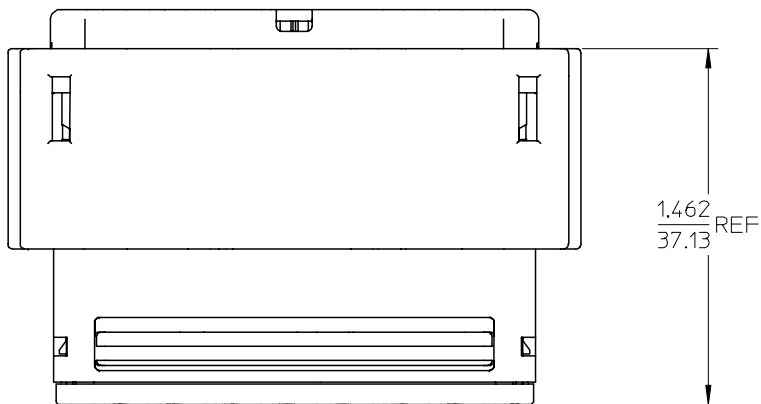
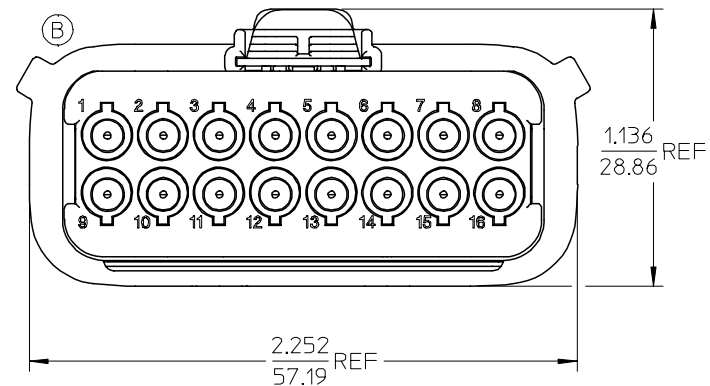
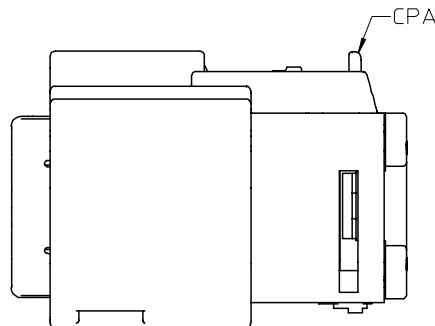
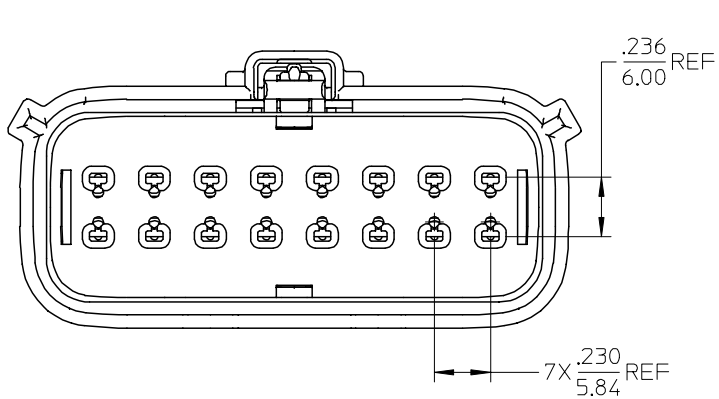
**Mates With**

[19419](#) , [19429](#)

**Use With**

[19420](#) Female Crimp Terminal

10 9 8 7 6 5 4 3 2 19418



194180039	16	16-14	NO
194180040	16	22-18	
194180030	16	16-14	YES
194180029	16	22-18	
MATERIAL NUMBER	CIRCUIT SIZE	UL WIRE AWG	CPA

NOTES:

1. ASSEMBLY PACKAGED PER PK-19418-001.
2. USE CONNECTOR WITH FEMALE CRIMP TERMINAL: SERIES 19420.

EC NO: ETC2005-0074 DRWN:DMYRICK 2004/10/15 CHKD:JPAWLICK 2004/10/15 APPR:RDEROSS 2004/10/15	QUALITY SYMBOLS ▽=0 ▽C=0	GENERAL TOLERANCES (UNLESS SPECIFIED)		SCALE 2:1	DESIGN UNITS INCH	THIRD ANGLE PROJECTION	REVISE ON CAD ONLY
		mm	INCH	DIMENSION STYLE IN/MM		TITLE 16 WAY RECEPTACLE ASSEMBLY	
REV B	DESCRIPTION	4 PLACES	± ---	± ---	DRAWN BY DMYRICK	DATE 03/12/29	MATERIAL NO. SEE CHART
		3 PLACES	± ---	± .015	CHECKED BY JPAWLICK	DATE 03/12/29	
		2 PLACES	± 0.38	± ---	APPROVED BY RDEROSS	DATE 03/12/29	SHEET NO. 1 OF 1
		1 PLACE	± ---	± ---	THIS DRAWING CONTAINS INFORMATION THAT IS PROPRIETARY TO MOLEX INCORPORATED AND SHOULD NOT BE USED WITHOUT WRITTEN PERMISSION		
		ANGULAR ± 1 °		DRAFT WHERE APPLICABLE		MUST REMAIN WITHIN DIMENSIONS	

8 7 6 5 4 3 2 1